



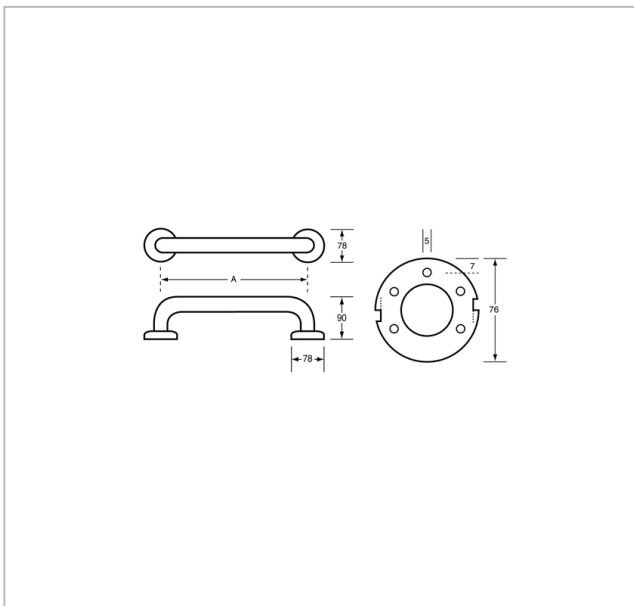
ML332 750mm Straight Grab Rail

SPECIFICATIONS

Material	#304 Stainless Steel - 32mmØ
Finish	Satin Stainless Steel
Mounting	Concealed Fix - 78mmØ Mount
Dimensions	750mm C to C
Also Available	ML327 - 300mm C to C ML328 - 350mm C to C ML329 - 400mm C to C ML330 - 450mm C to C ML331 - 600mm C to C ML338 - 800mm C to C ML333 - 900mm C to C ML334 - 1000mm C to C ML335 - 1200mm C to C ML336 - 1500mm C to C

Note * This unit is accessible compliant when installed in accordance with AS1428.1. guidelines.

Related Video [Stainless Steel Cleaning & Maintenance](#)



The photographs and line drawings of the products presented above are representational only. Metlam Australia Pty Ltd reserves the right to, and from time to time, make changes and improvements in design and dimensions.